

S4OPTIK



EXAMINATION CHAIR

Model I800-CH

S4OPTIK
EXAMINATION
CHAIR
Model 1800-CH



variable recline backrest

pneumatically assisted recline/incline allows recline of the backrest at any position down to 170 degrees.

reclining is simple with the positive-assist release and locking system.



S4OPTIK
EXAMINATION
CHAIR
Model 1800-CH



KleenTech[®] **lift system**

employs a Swiss made linear actuator
for smooth and virtually silent lifting
with a 500lbs capacity. The chair seat
raises to 30" (76.2cm) and lowers to
22" (55.8cm).





adjustable headrest

the headrest is height
adjustable and upholstered for
patient comfort.



S4OPTIK
EXAMINATION
CHAIR
Model 1800-CH



**weight
bearing
armrests**

upholstered for comfort,
the armrests are individually
retractable for patient flexibility.
Solid construction provides
support for ingress/egress.



full

specs

Shipping Weight: **260 lb**

Gross Weight: **225 lb**

Baseplate: **22" x 26"**

Lift Capacity (lb): **560 lb**

Ground to Seat: **19.5"**

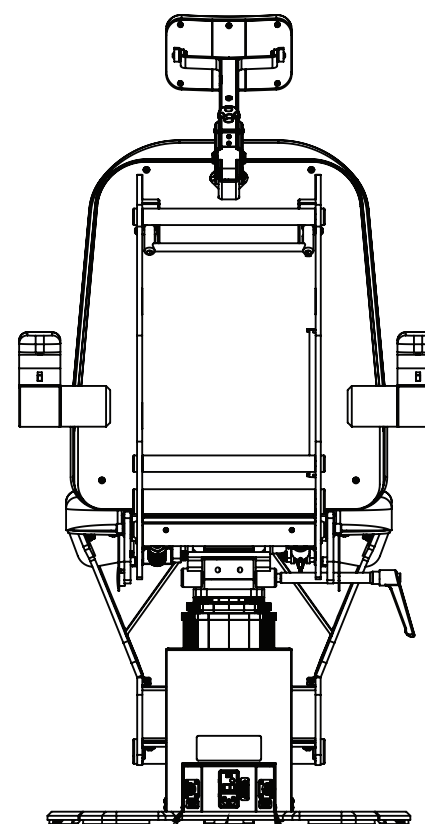
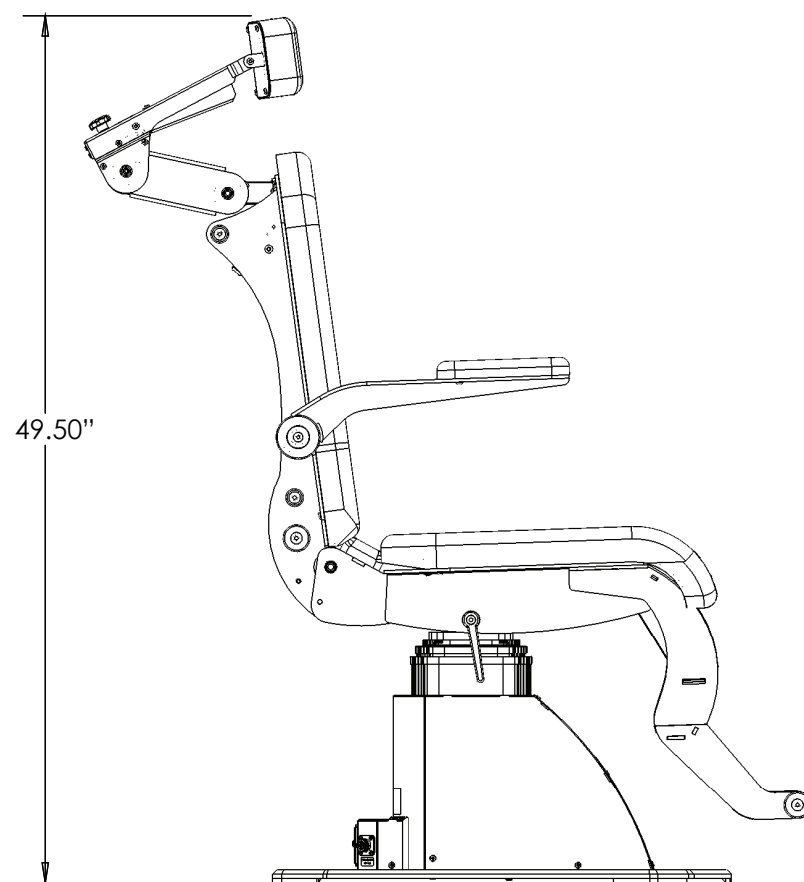
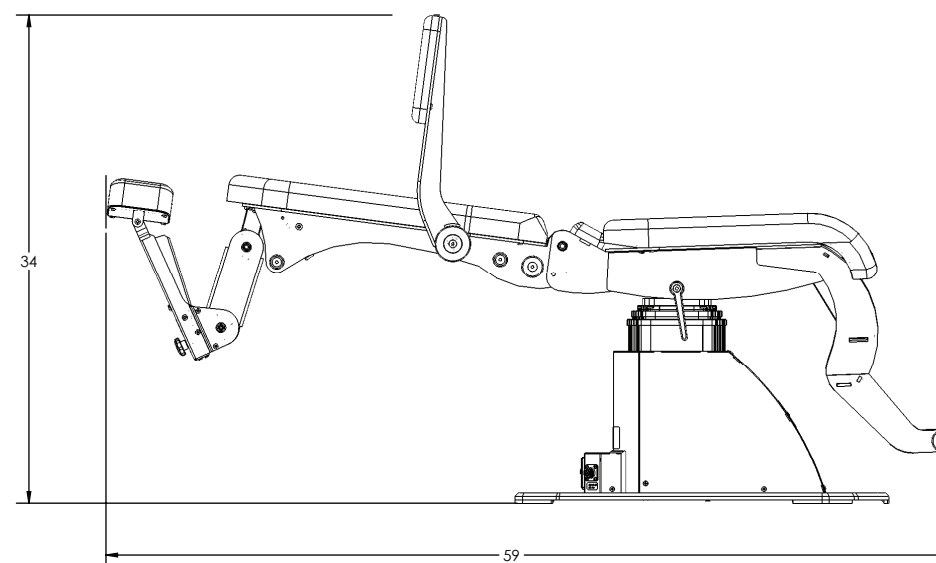
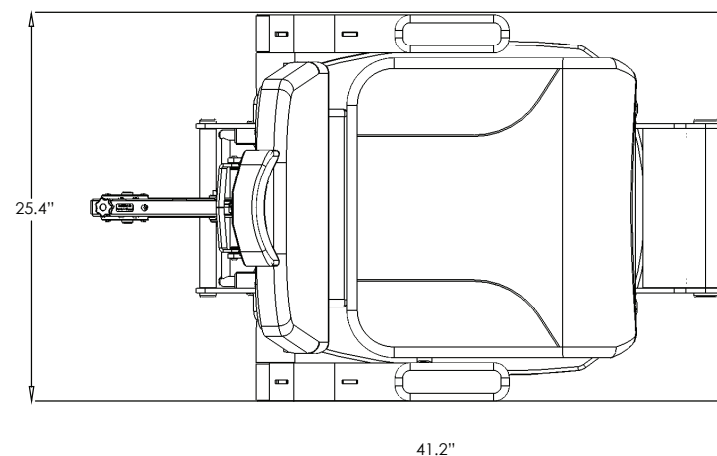
Lift Column Stroke: **11.8"**

Rotation: **360°**

Tilt Mechanism: **Back Recline**

Input Voltage: **100-240 VAC, 50/60Hz**

Fuses: **8A Main**



4 POSITION CPC CONNECTOR
 (TAKES FOOTPEDAL CABLE)

IEC C14 INPUT POWER MODULE
 (TAKES POWER CORD WITH IEC C13 END)

4 POSITION CPC CONNECTOR
 (TAKES CHAIR TO STAND CABLE)