

S4OPTIK

The image features a white S4OPTIK instrument stand, model I 600ST, against a white background. The stand has a vertical column with a control panel on top containing three circular ports and four buttons. Two articulated arms extend from the column. The upper arm is positioned horizontally and holds a pair of eyeglasses. The lower arm is positioned vertically and holds a pair of dental forceps. The stand is shown from a three-quarter perspective, with another similar stand visible in the background to the left.

INSTRUMENT STAND

Model I 600ST

Sleek, functional, flexible.

S4OPTIK I 600-ST Instrument Stand.

stand features

Instrument Console

- Accommodate all brands of Ni-Cad hand-held instruments with three rechargeable wells
- Deliver efficient patient care with logically positioned, durable membrane switches for power mains, chair up/down and auto-return
- Overhead lamp with rheostat



stand features

Slit Lamp Arm



- Add a superior achievement in engineering to your practice with this fully counterbalanced arm featuring full function and range
- Convenient lock/release mechanism at your fingertips
- Easily accommodate all patients, including those in wheelchairs, with 13.5" (34.2cm) range of travel and counter balance up to 60lbs (27.2kg)
- Choose from right-handed or left-handed up/down switch configuration with reversible arm positioning

stand features

Upper Arm (Refractor)

- Support natural and comfortable hand movements with the lock/release lever
- Engage a single lock mechanism in all three dimensions (forward/backward/vertical)
- Enjoy precise and effortless positioning with the 12.5" (31.75cm) vertical range and counter balance up to 20lbs (9.1kg)



stand features

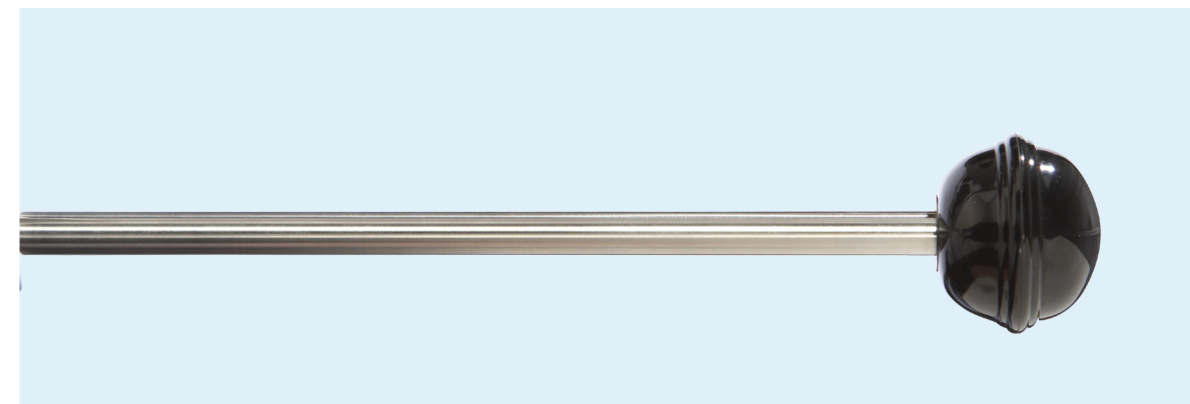
Halogen
Overhead Light

- Combine form and function with the modern design of this long-lasting halogen lamp
- Use bright, direct light for general lighting or minor procedures
- Rely on durable metal lamp arm construction for stable, one-handed movements
- Safe, low-voltage (12V) overhead lamp





with the same ergonomically designed lever mechanism as the refractor arm, the optional third arm has a vertical range of 12.5" (31.75cm) and is counterbalanced to accommodate instruments up to 30lbs (13.6kg).



console options

Extra Features

1. BIO Hanger
2. Storage Tray
3. Optional 3rd Arm
4. Keratometer Tray



S4OPTIK Instrument Stand Model 1600-ST Specs

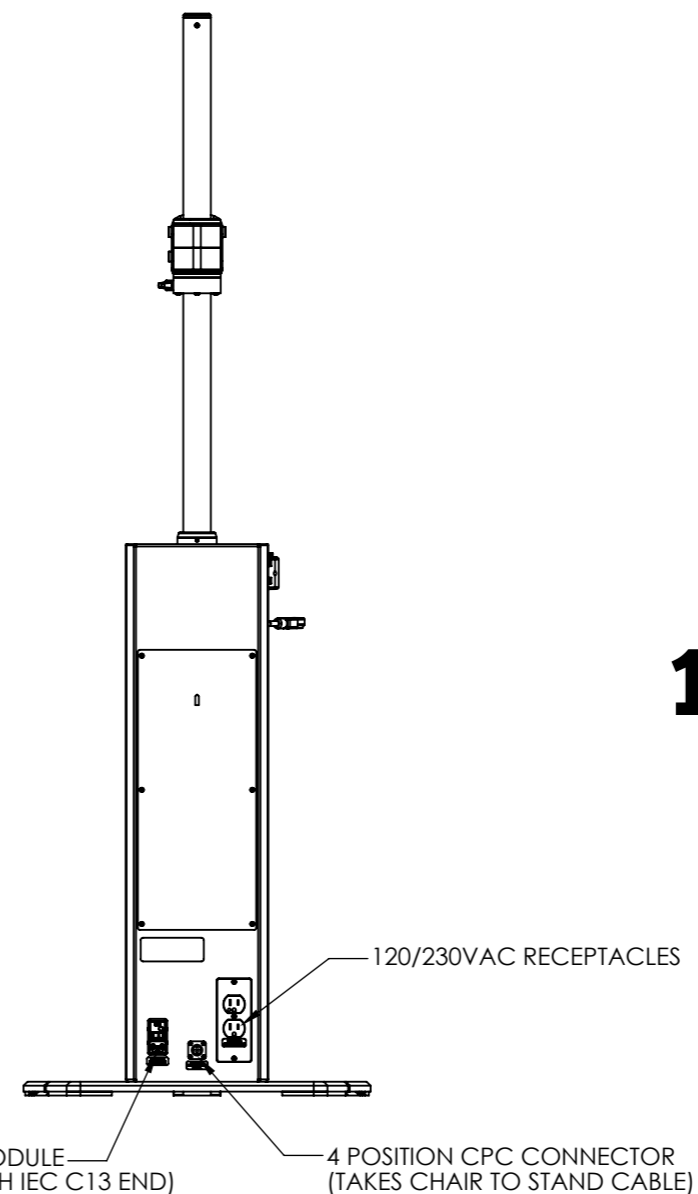
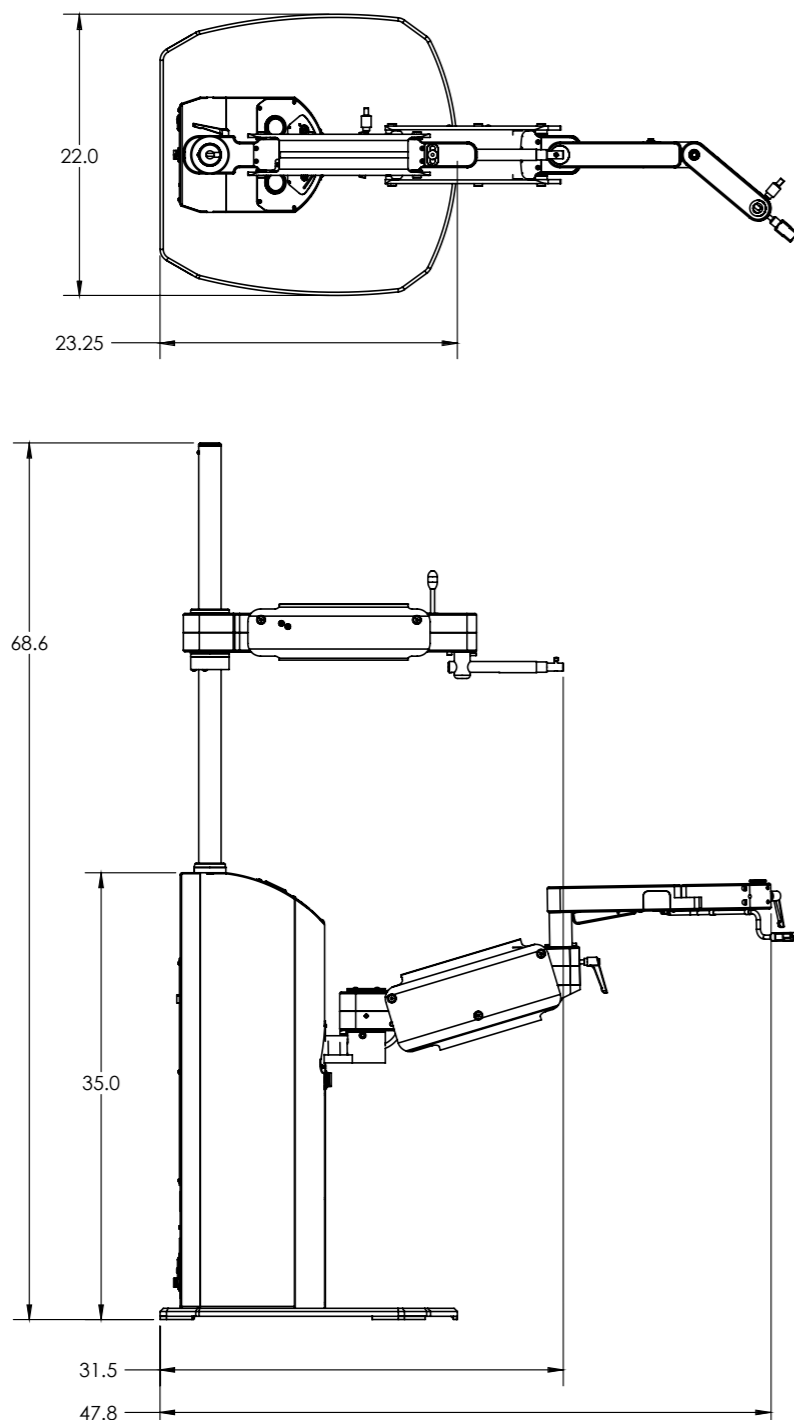
Shipping Weight: **280 lb**

Gross Weight: **240 lb**

Base: **22"x23.25"**

Height Console: **35"**

Height Pole: **68"**



About S4OPTIK

Modern Design, Quality Materials, Exceptional Value.

Understanding the unique needs of eye care practices all over the world, S4OPTIK delivers extraordinary value in high quality diagnostic equipment and accessories. With modern designs to enhance your office environment, competitive prices to help you manage your costs, and an industry leading warranty, S4OPTIK eye care instruments help you deliver the very best in patient care. Contact us today for pricing.